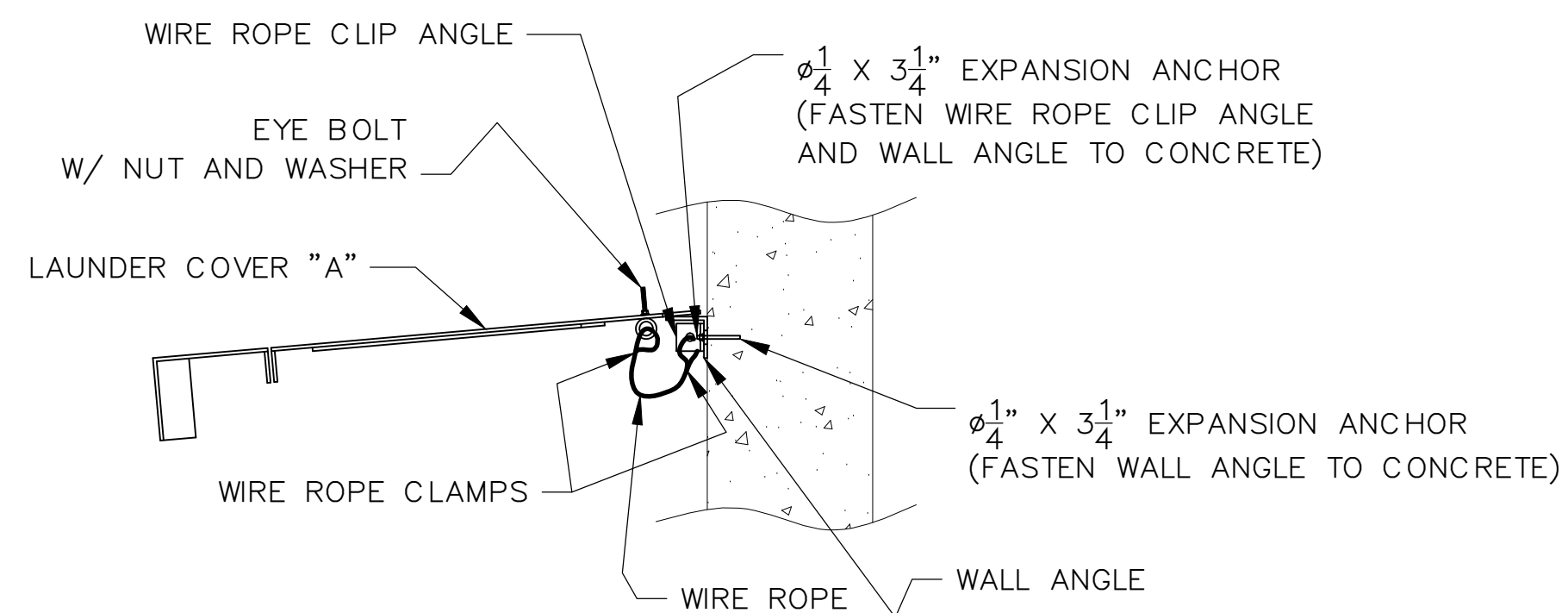
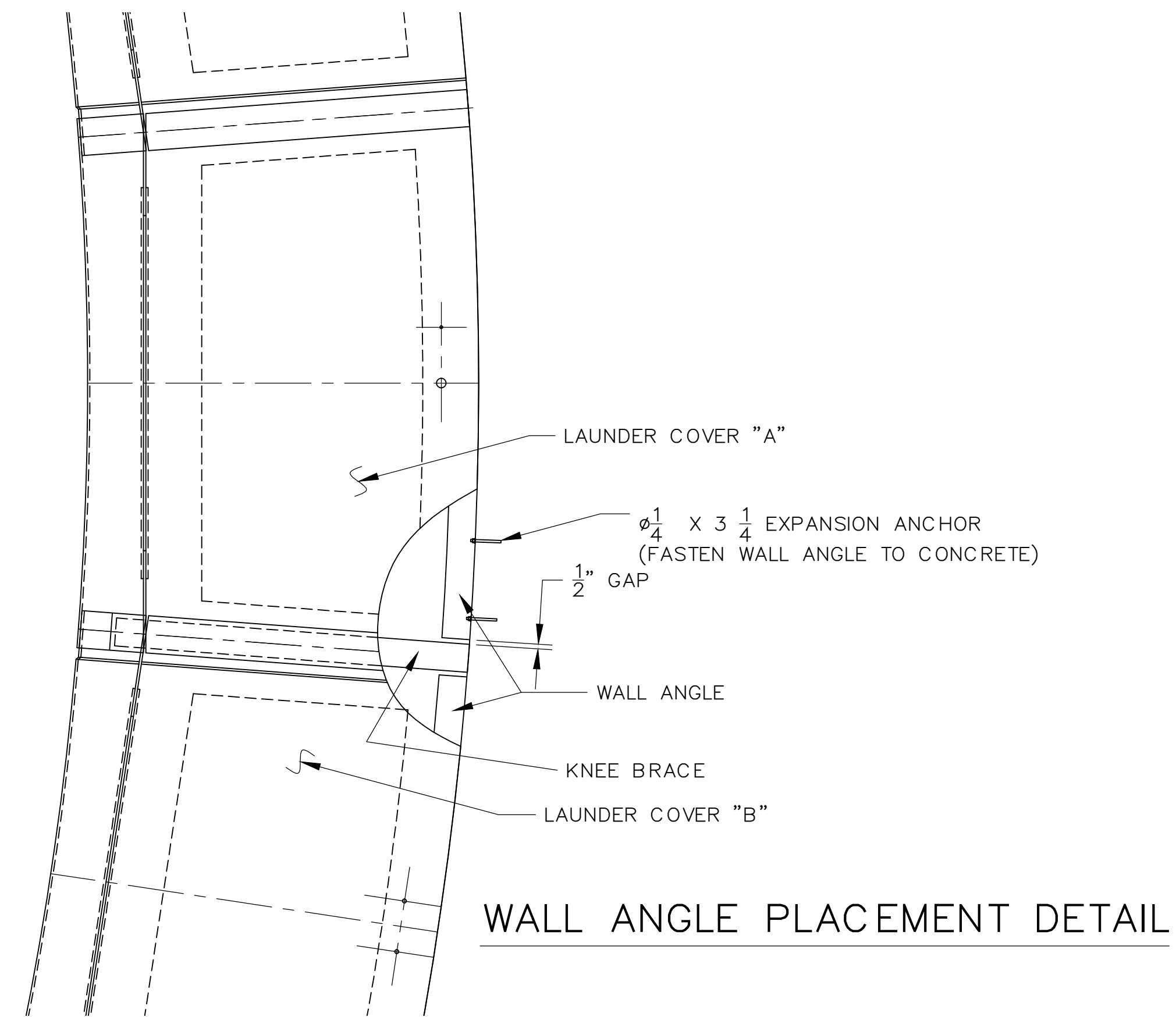


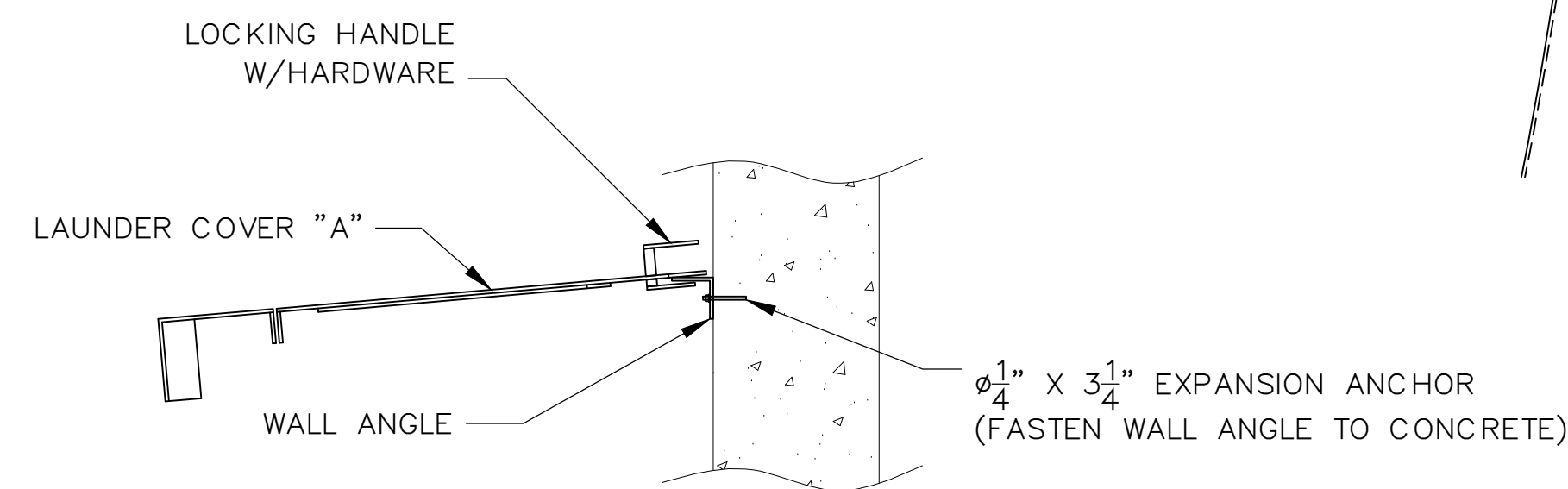
(QTY)'X'-X" TANKS



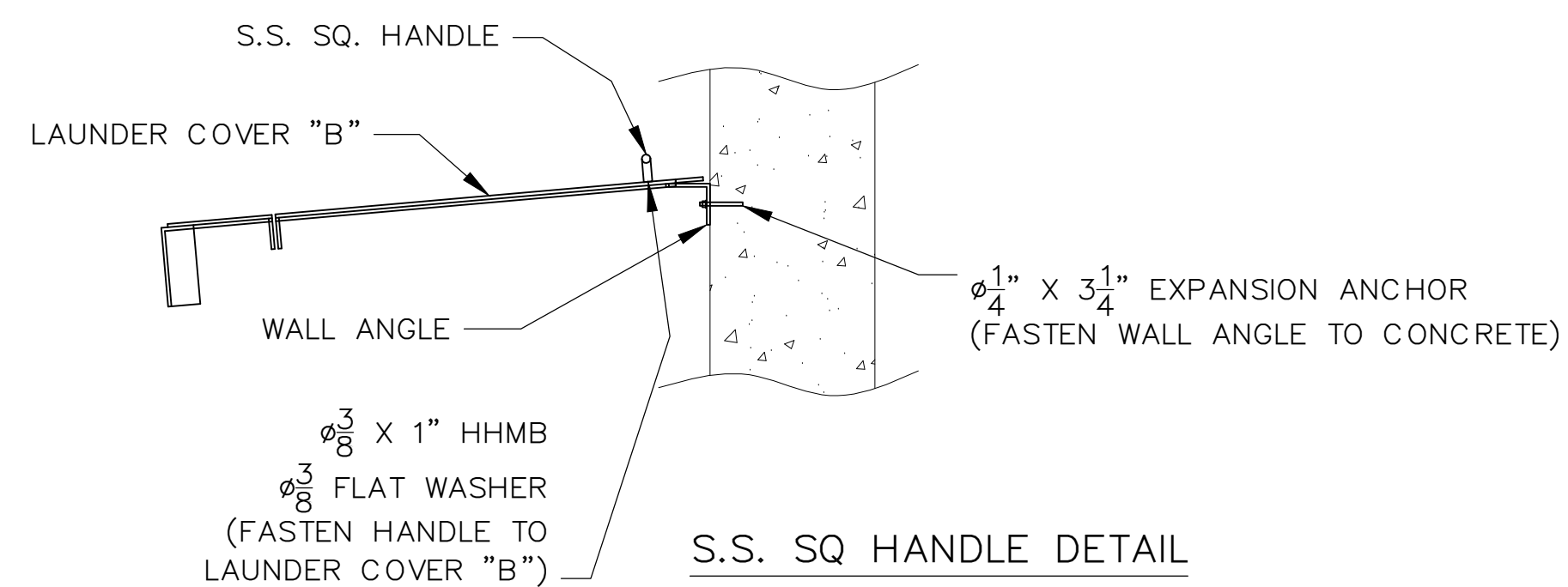
WIRE ROPE DETAIL



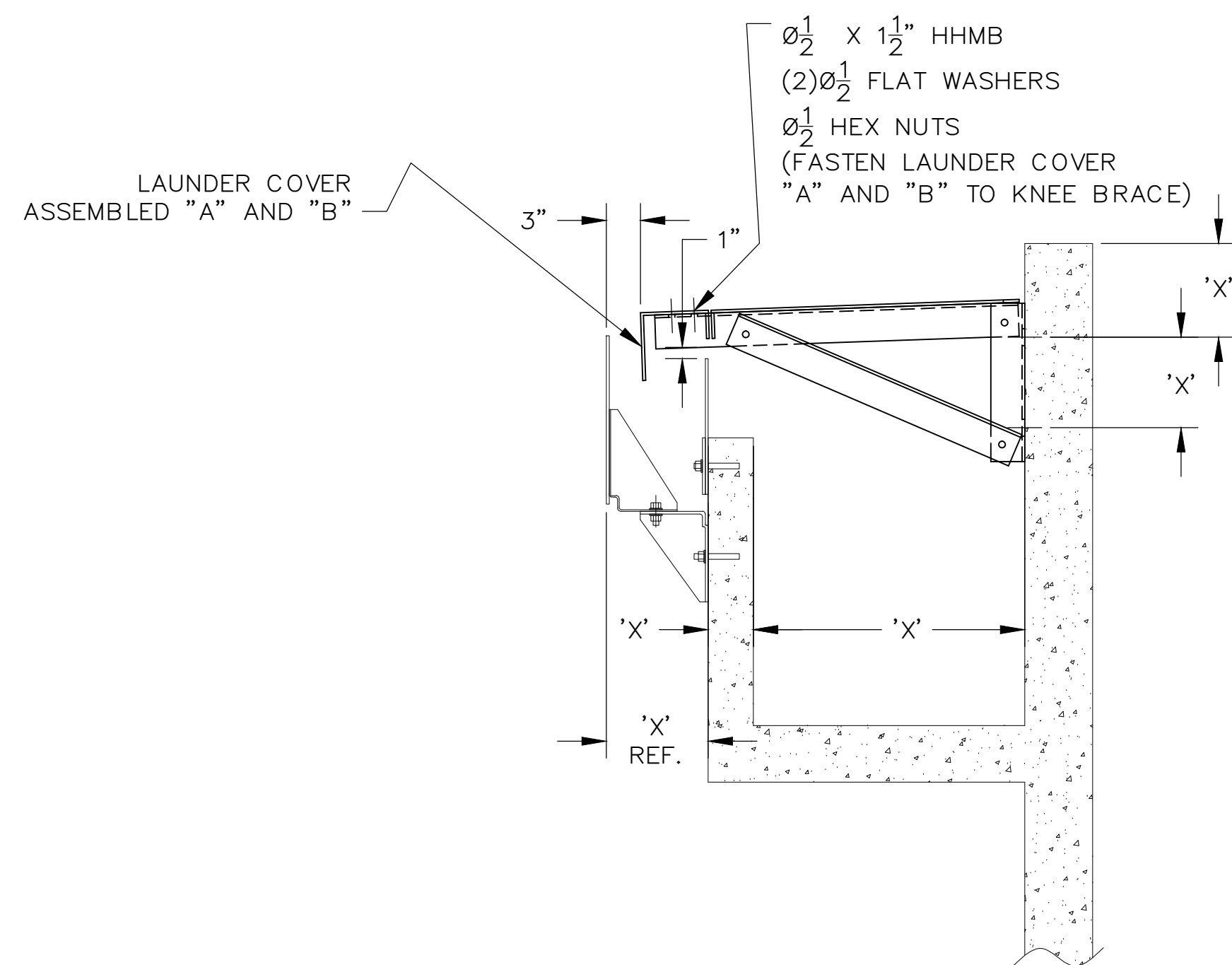
WALL ANGLE PLACEMENT DETAIL



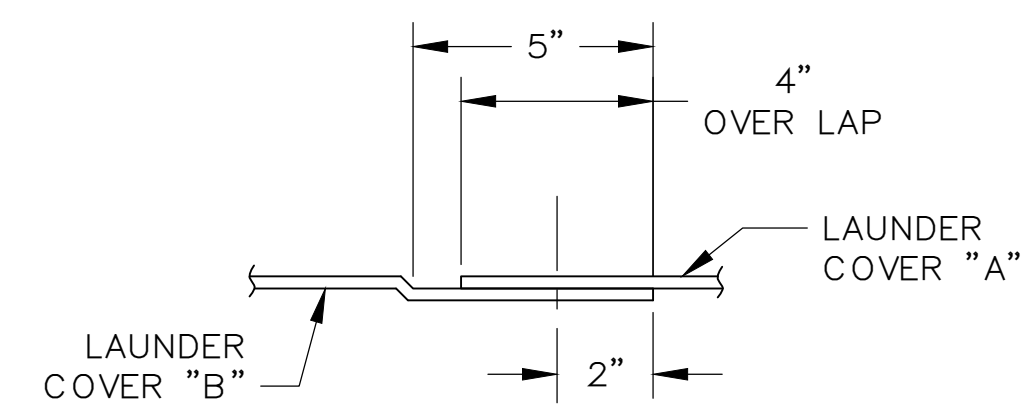
LOCKING HANDLE DETAIL



S.S. SQ. HANDLE DETAIL



TYPICAL SECTION



JOINT DETAIL

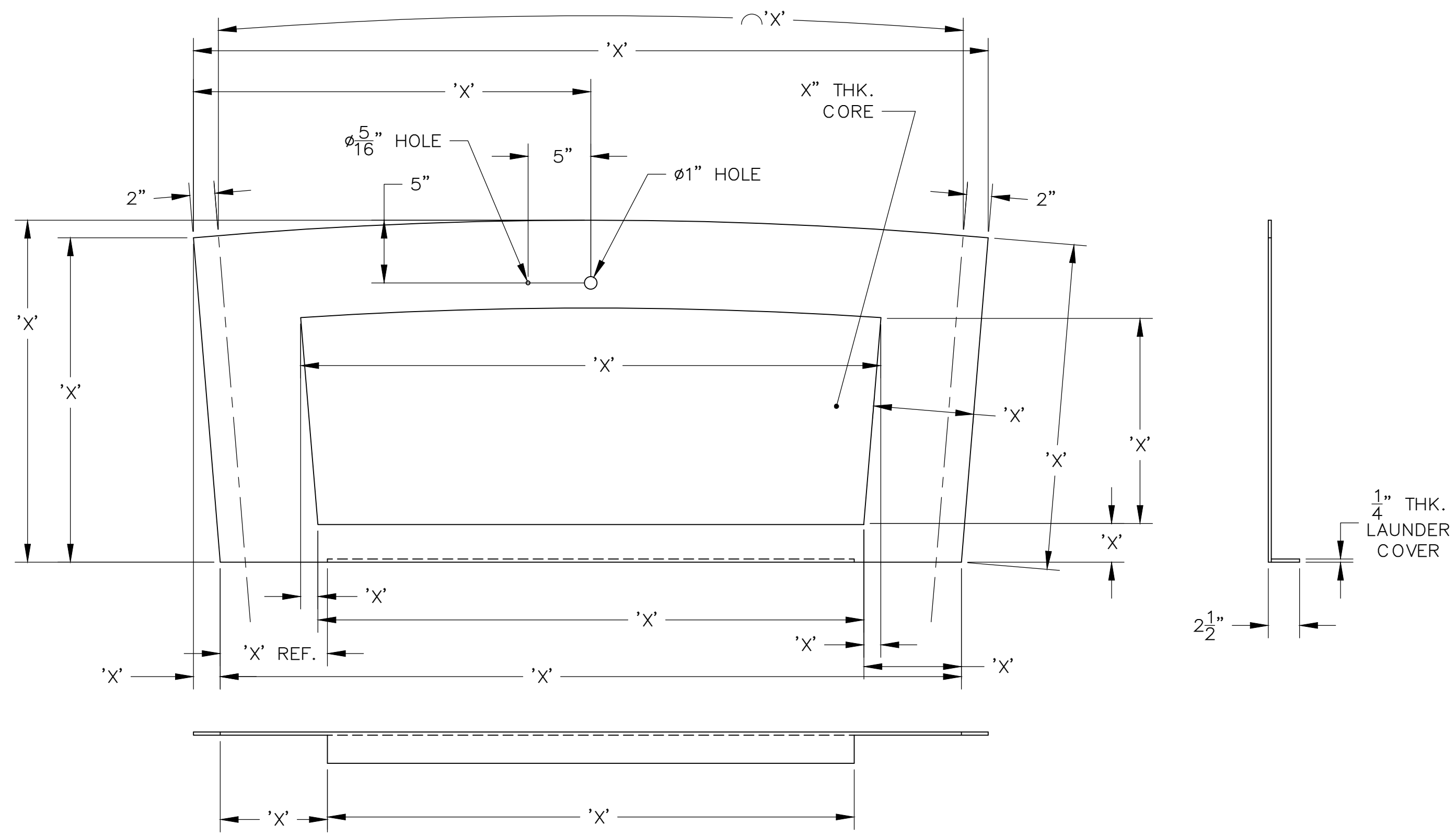
MFG WATER TREATMENT ("WATRE") has no responsibility for the contract design of the product or the contract specifications. WATRE has been selected to manufacture this product, the customer agrees to indemnify and hold WATRE harmless from and against all liability relating to this product, its performance, merchantability and fitness for purpose (including all liability for claims, suits, judgements and expenses), unless the product as manufactured by WATRE does not conform to the contract design and specifications set or WATRE'S shop drawings approved by the customer.

NO.	REVISIONS	DATE

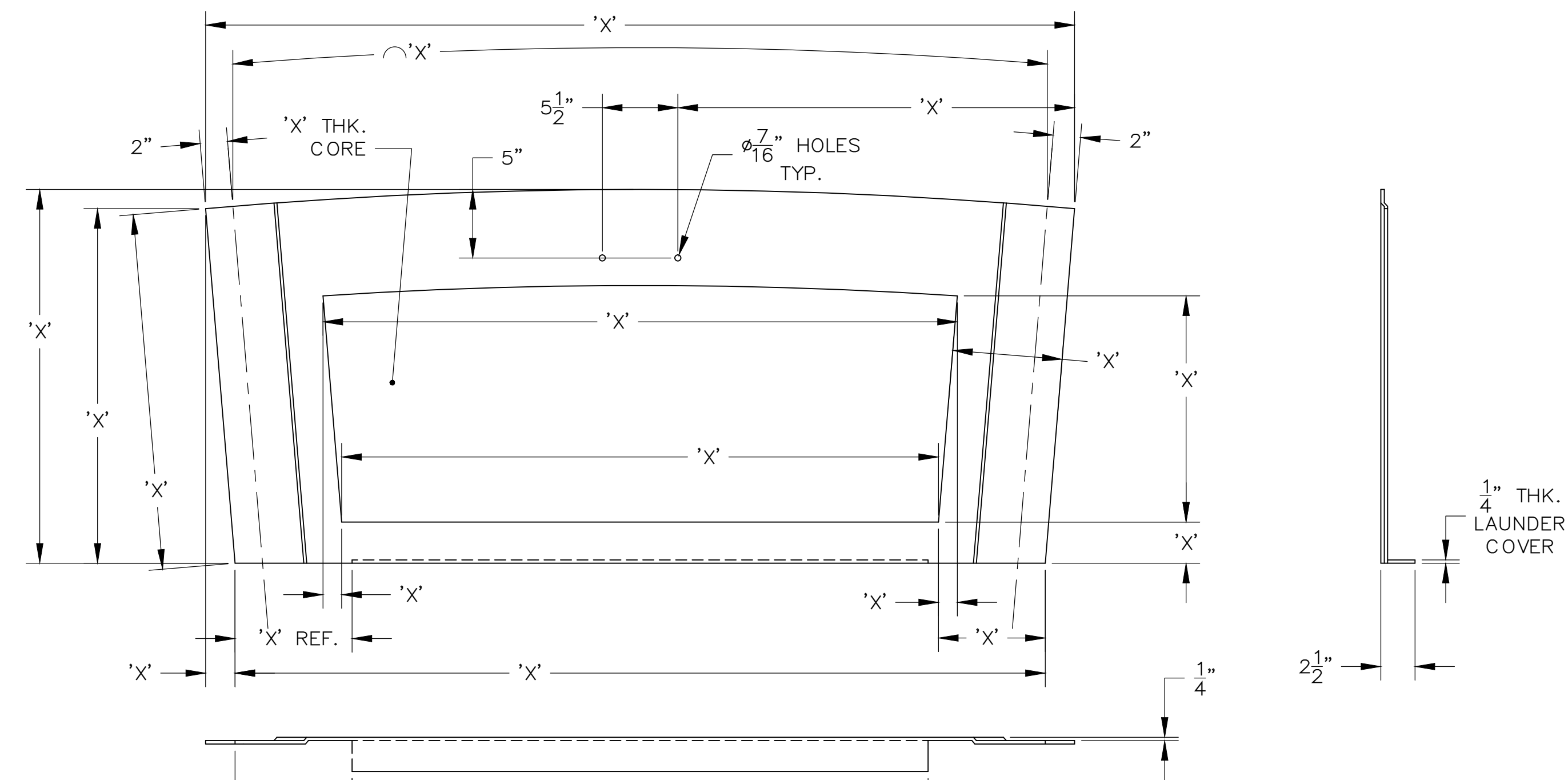
MFG CONSTRUCTION & WATER PRODUCTS
 55 4th AVENUE UNION CITY, PA 16438 PHONE: (814) 438.3959 FAX: (814) 438.8538
 SCALE TITLE: Laundry Cover Details

DIVISION : MFG/WTP
DRAWN BY :
CHECKED BY :
APPROVED BY :
DATE :

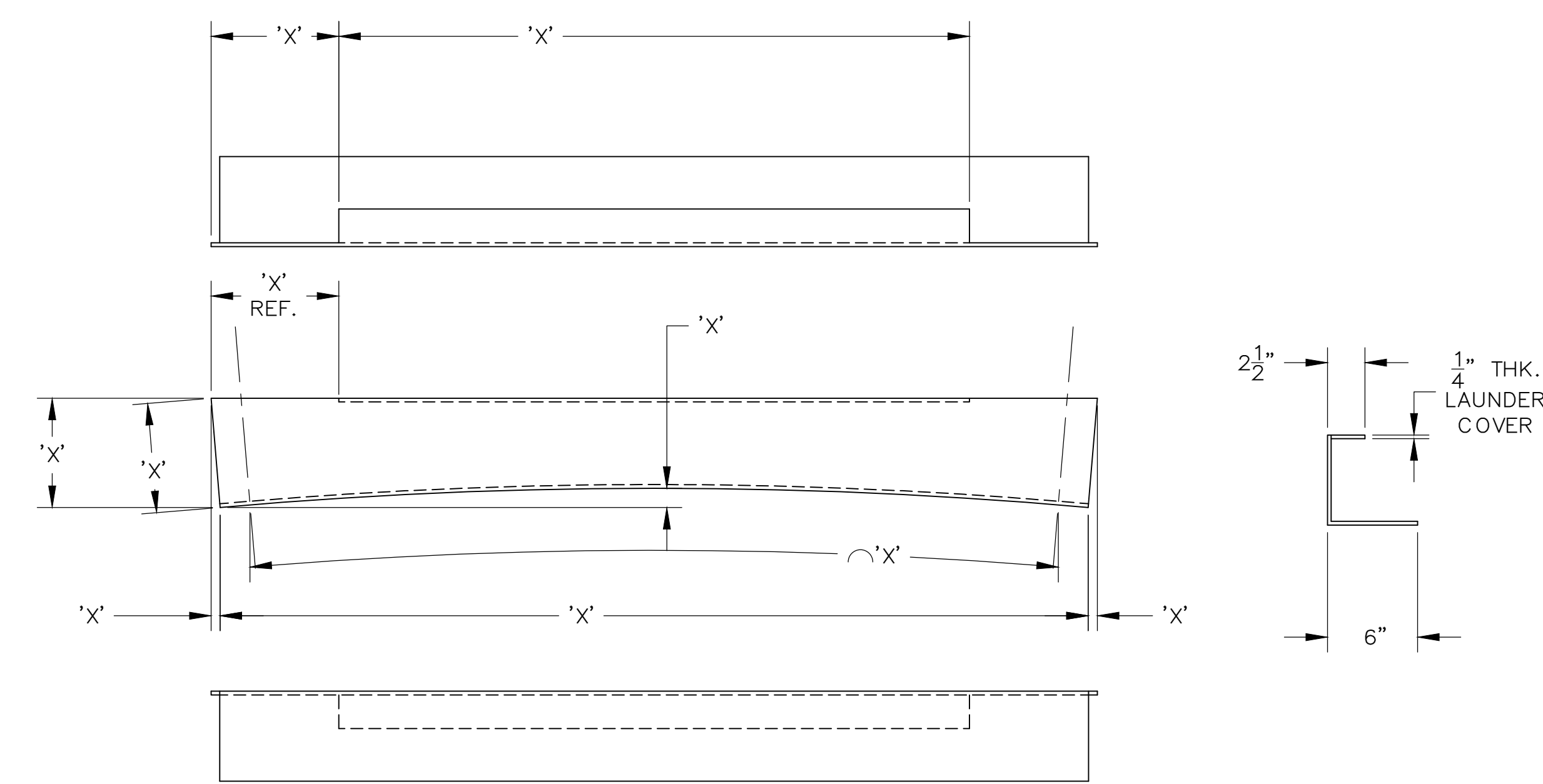
SHEET NO.



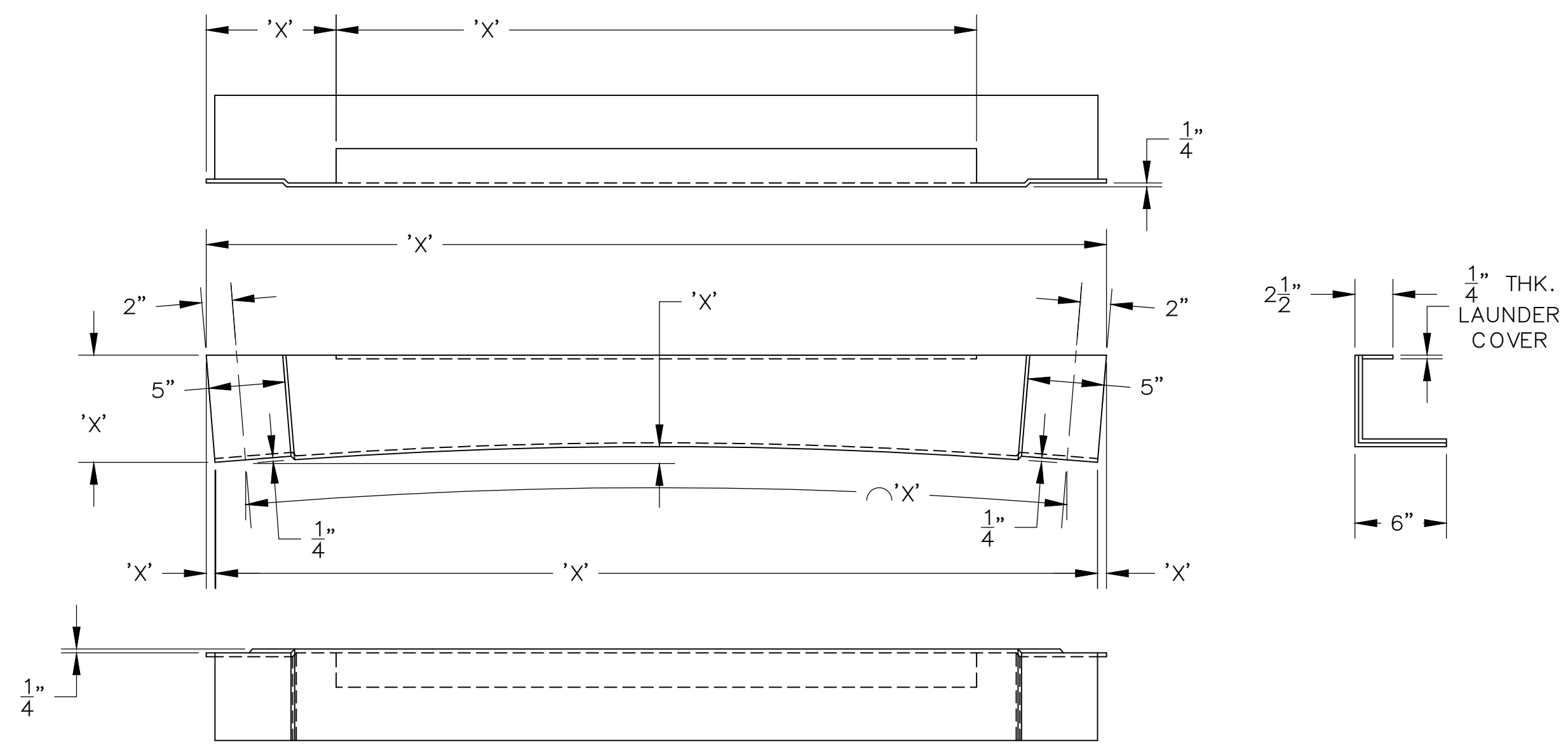
LAUNDRER COVER A1



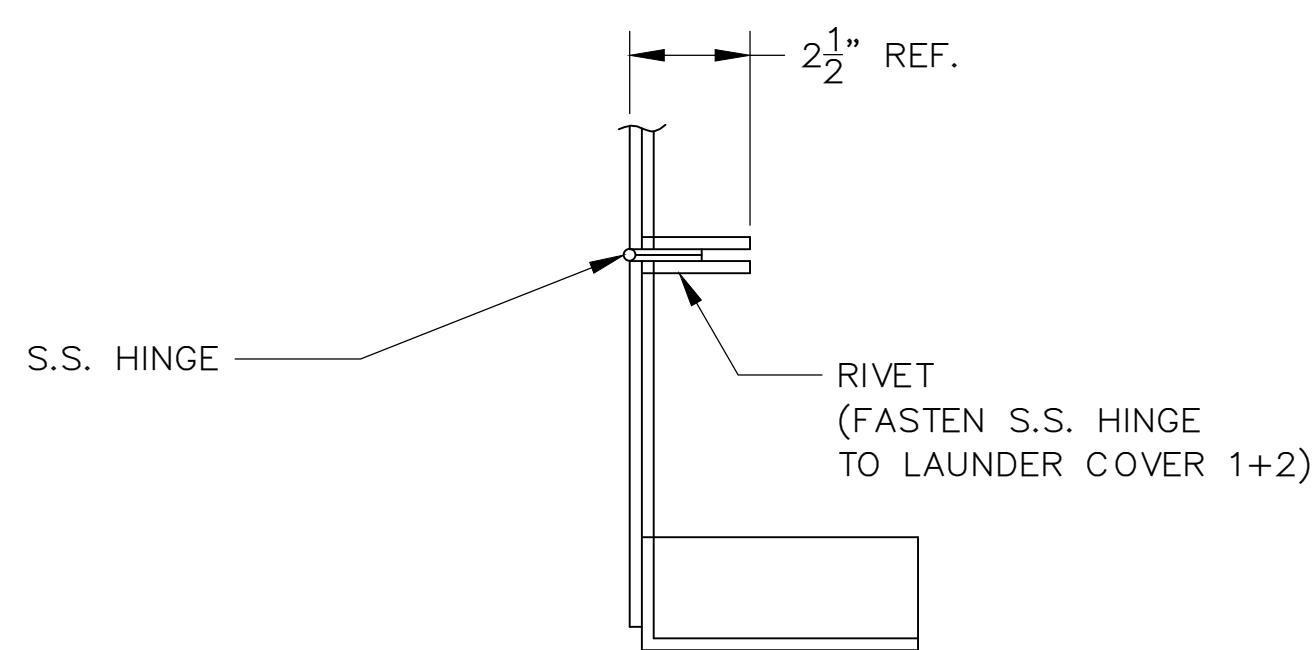
LAUNDRER COVER B1



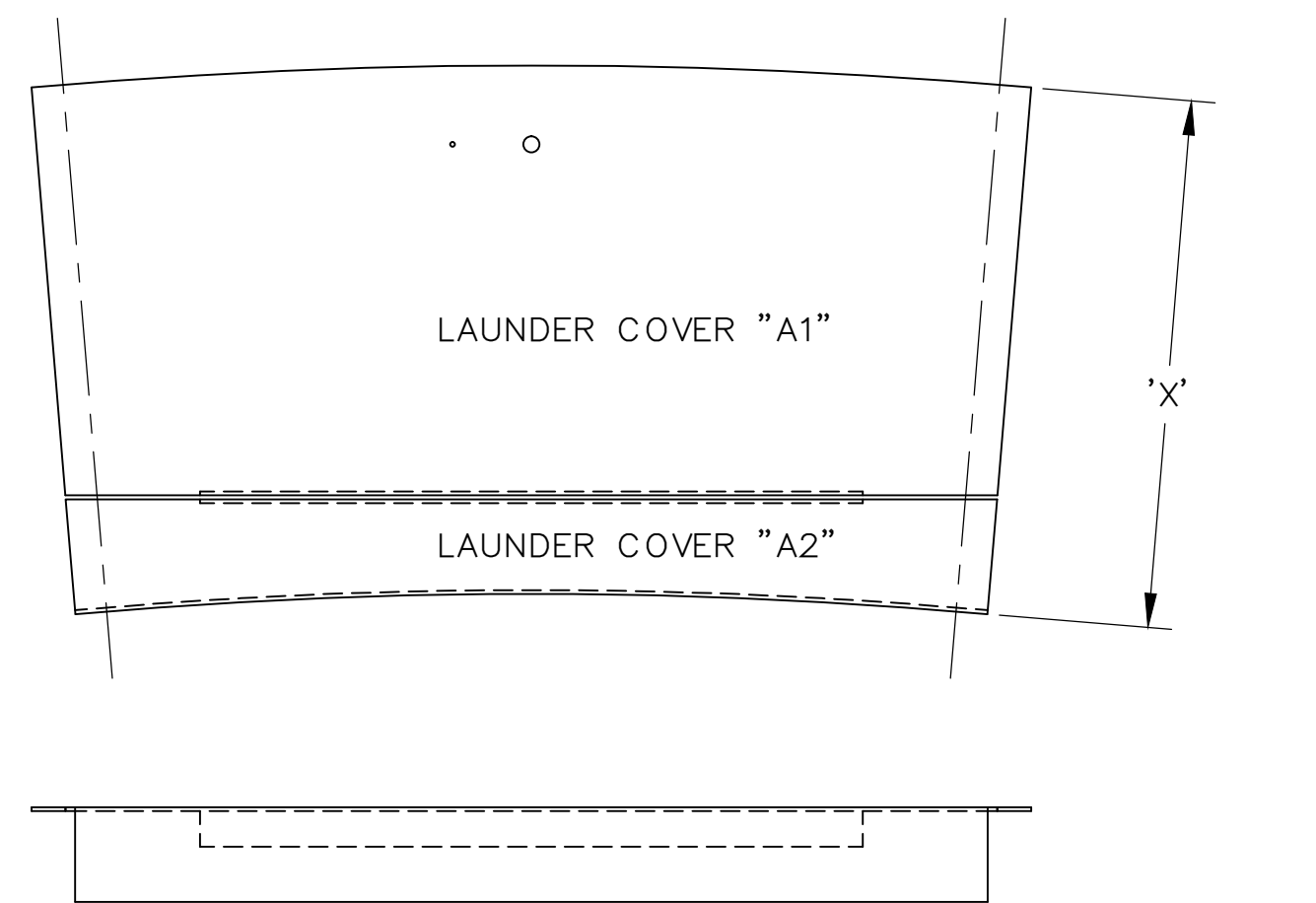
LAUNDRER COVER A2



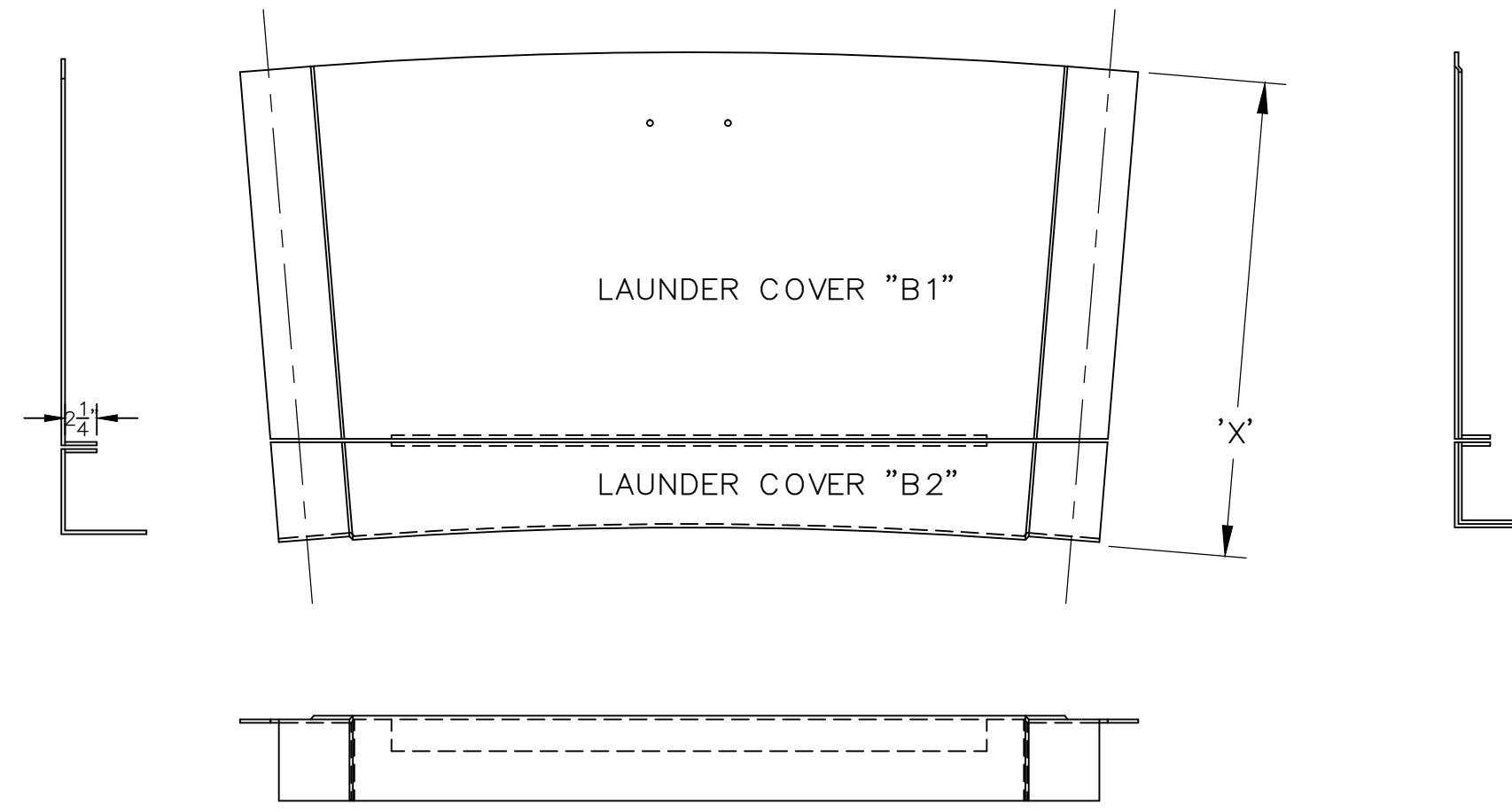
LAUNDRER COVER B2



S.S. HINGE DETAIL



LAUNDRER COVER "A"(ASSEMBLY)



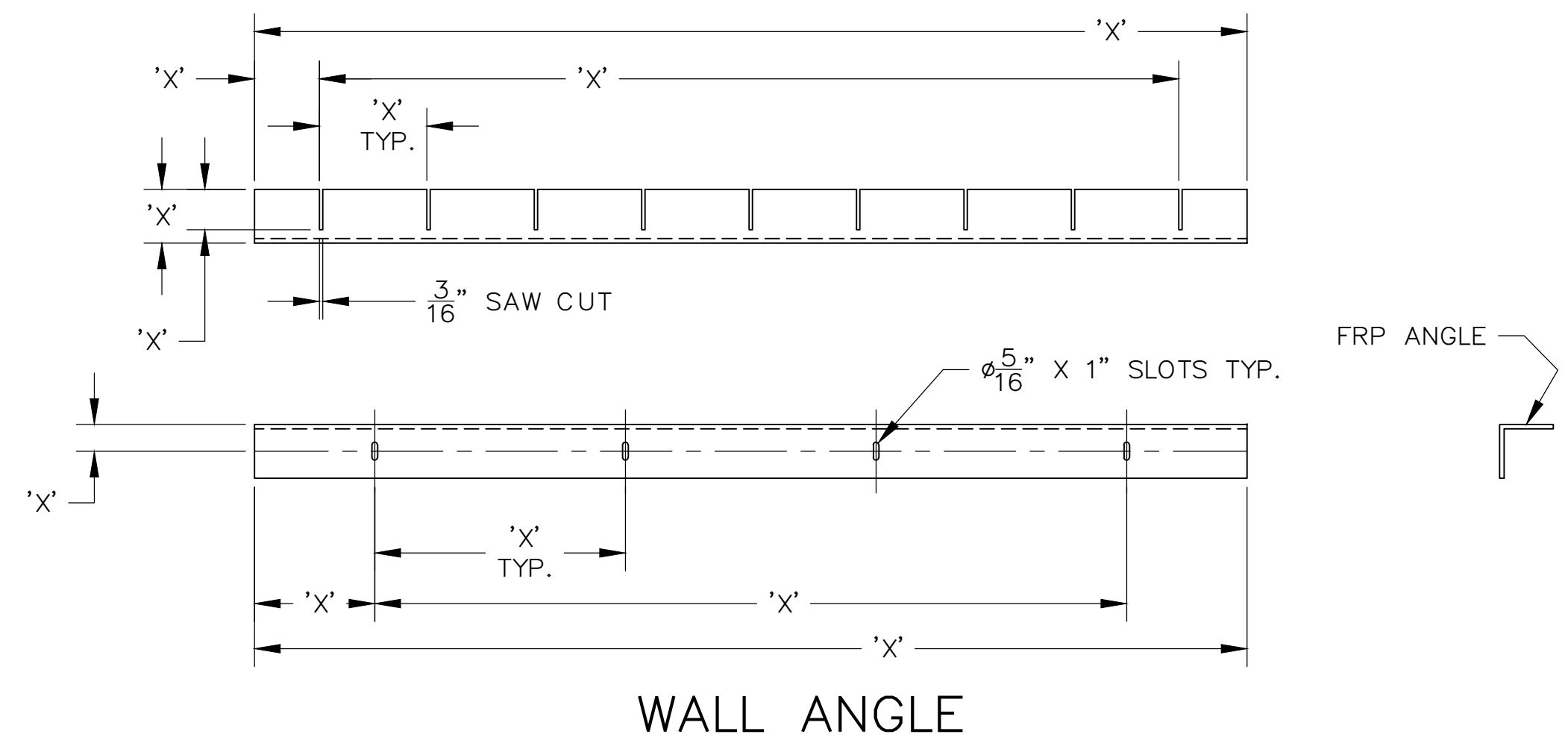
LAUNDRER COVER "B"(ASSEMBLY)

MFG WATER TREATMENT ("WATRE") has no responsibility for the contract design of the product or the contract specifications. WATRE has been selected to manufacture this product, the customer agrees to indemnify and hold WATRE harmless from and against all liability relating to this product, its performance, merchantability and fitness for purpose (including all liability for claims, suits, judgements and expenses), unless the product as manufactured by WATRE does not conform to the contract design and specifications set or WATRE'S shop drawings approved by the customer.

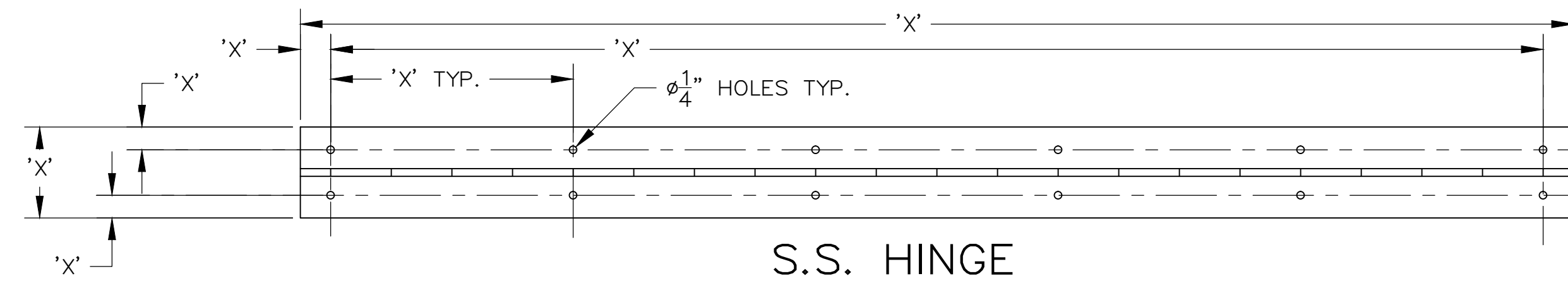
NO.	REVISIONS	DATE

MFG CONSTRUCTION & WATER PRODUCTS
 55 4th AVENUE UNION CITY, PA 16438 PHONE: (814) 438.3959 FAX: (814) 438.8538
 SCALE TITLE: REF.

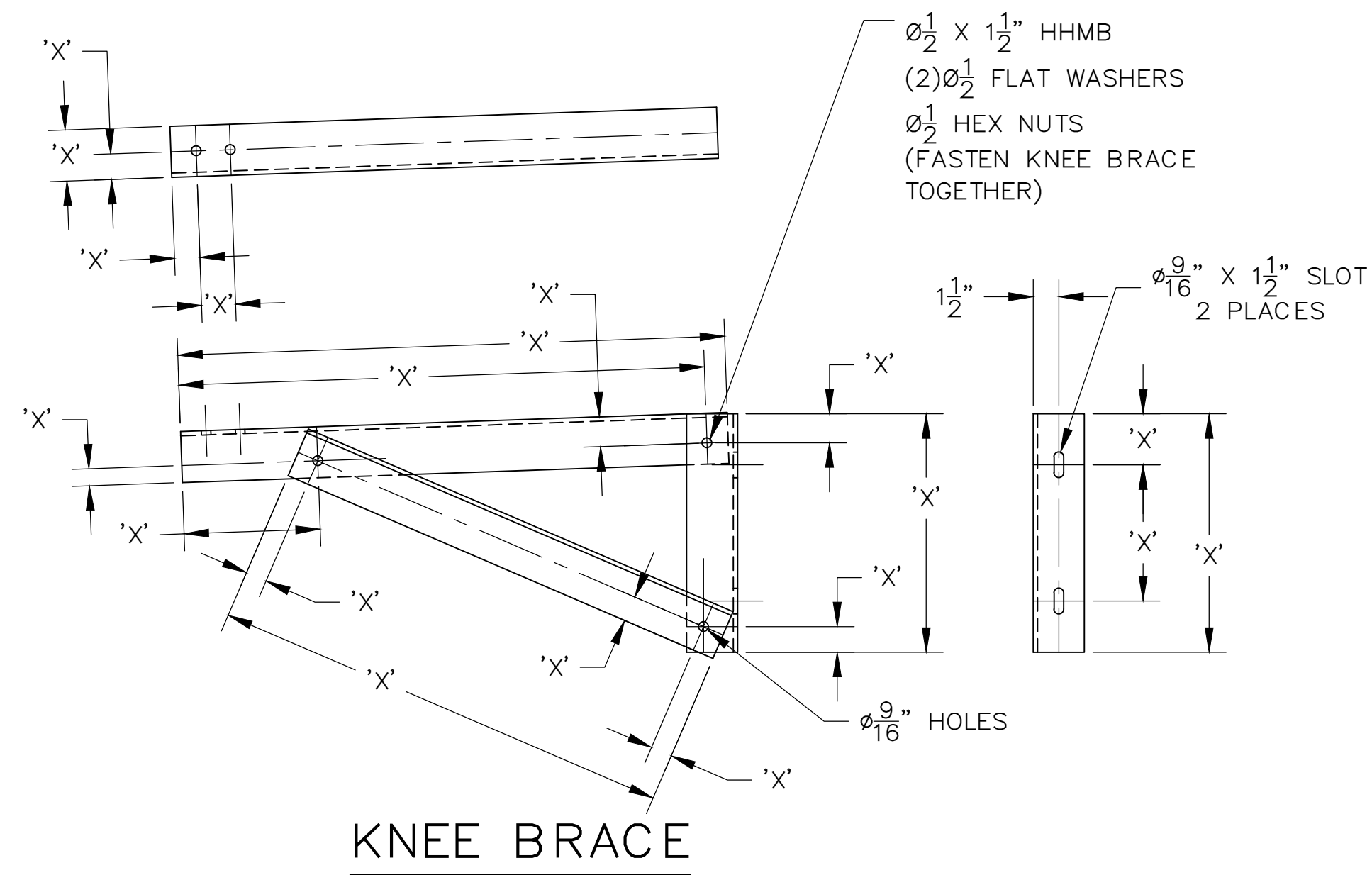
DIVISION : MFG/WTP
DRAWN BY :
CHECKED BY :
APPROVED :
DATE :
SHEET NO.



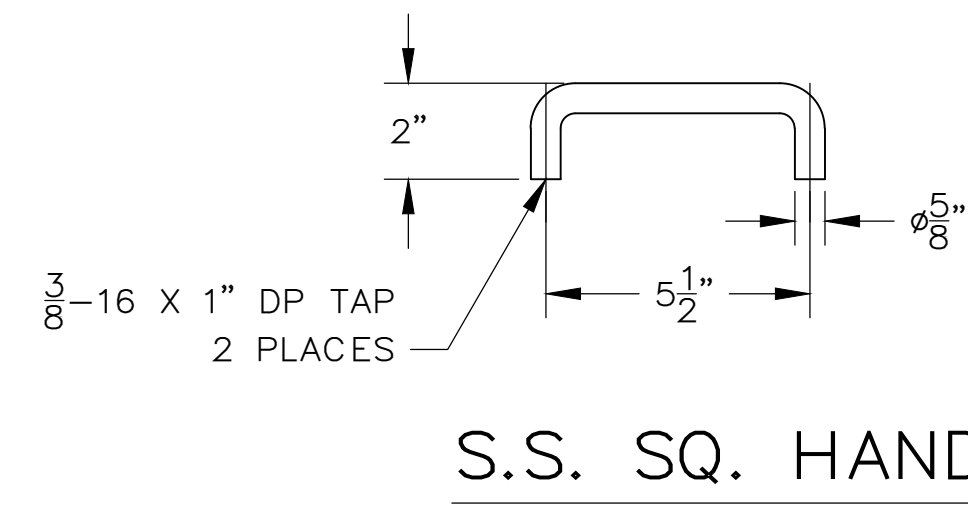
WALL ANGLE



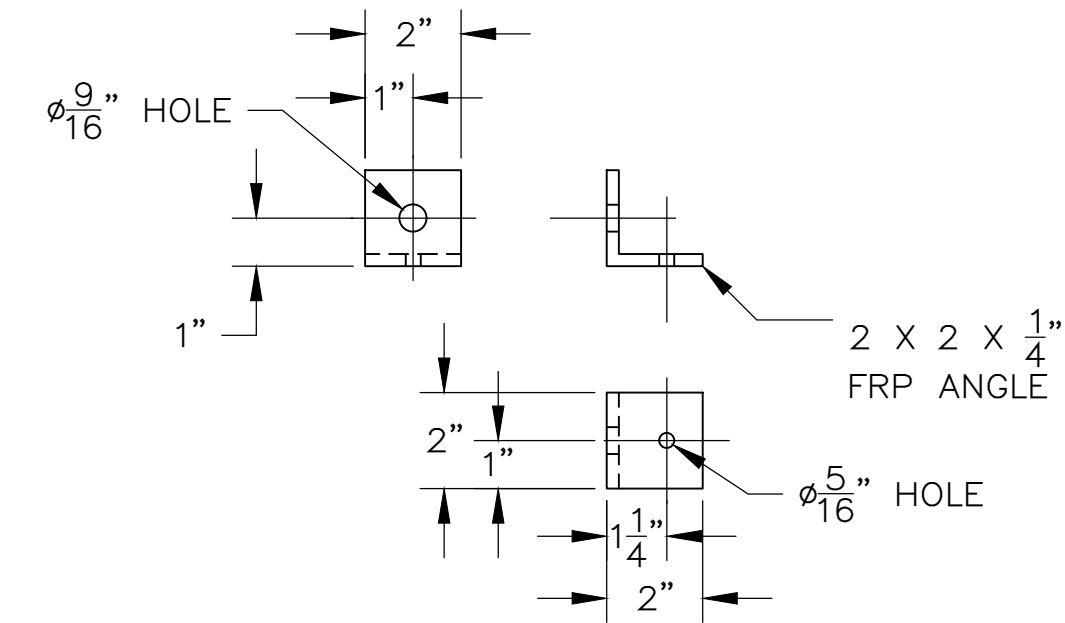
S.S. HINGE



KNEE BRACE



S.S. SQ. HANDLE



WIRE ROPE CLIP ANLGE

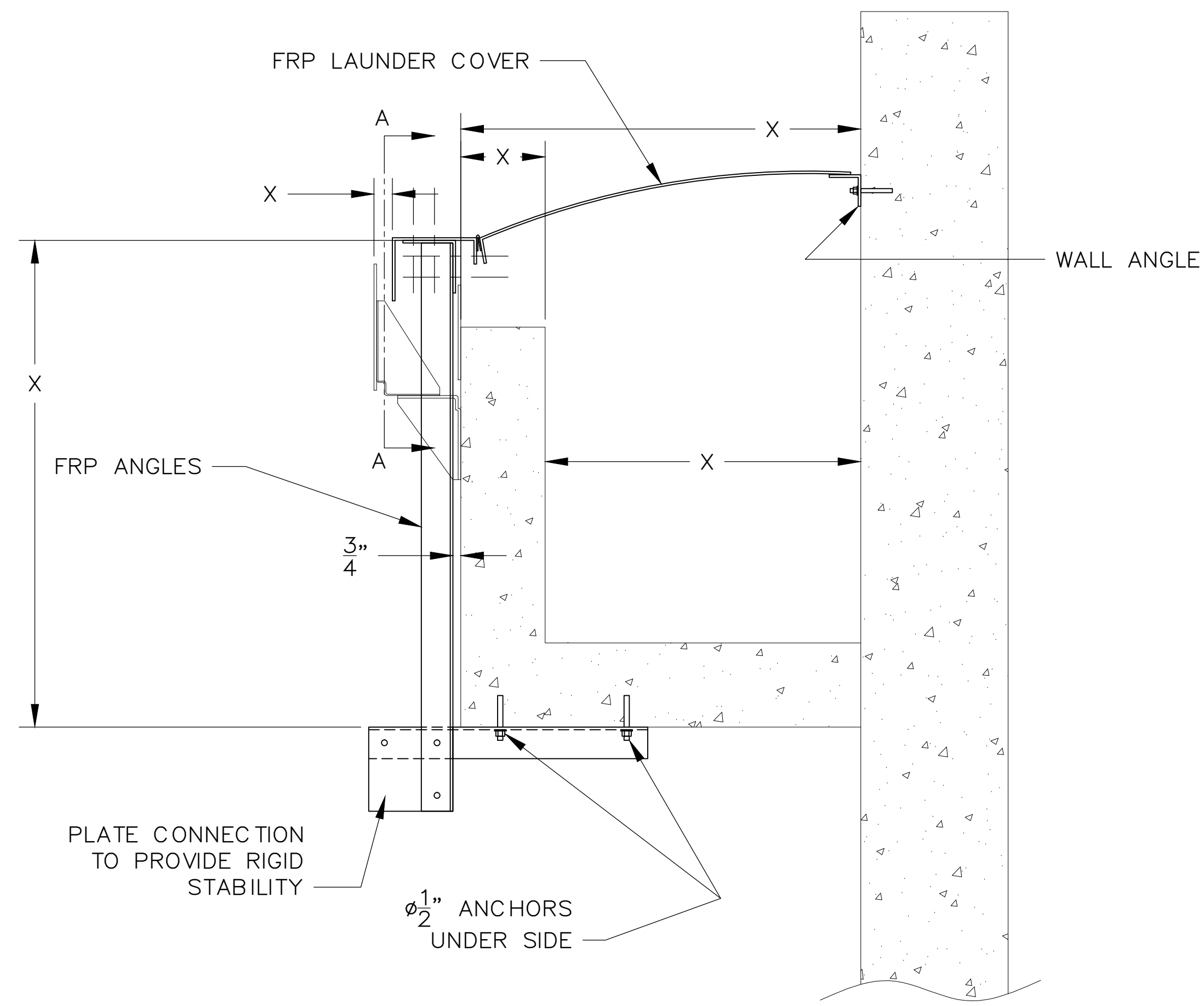
MFG WATER TREATMENT ("WATRE") has no responsibility for the contract design of the product or the contract specifications. WATRE has been selected to manufacture this product, the customer agrees to indemnify and hold WATRE harmless from and against all liability relating to this product, its performance, merchantability and fitness for purpose (including all liability for claims, suits, judgements and expenses), unless the product as manufactured by WATRE does not conform to the contract design and specifications set or WATRE'S shop drawings approved by the customer.

NO.	REVISIONS	DATE

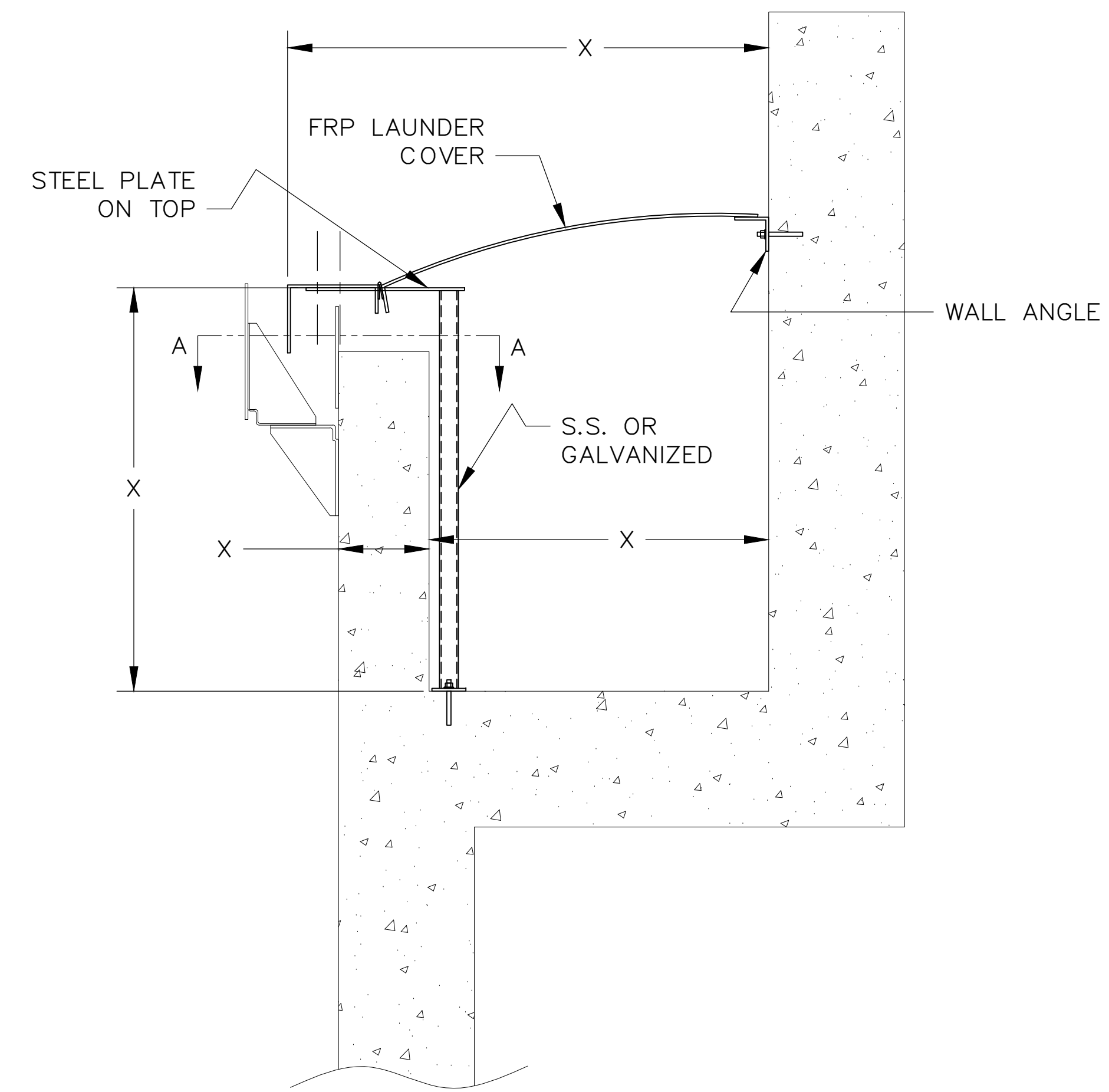
MFG CONSTRUCTION & WATER PRODUCTS
 55 4th AVENUE UNION CITY, PA 16438 PHONE: (814) 438.3959 FAX: (814) 438.8538
 SCALE TITLE:

DIVISION : MFG/WTP
DRAWN BY :
CHECKED BY :
APPROVED :
DATE :

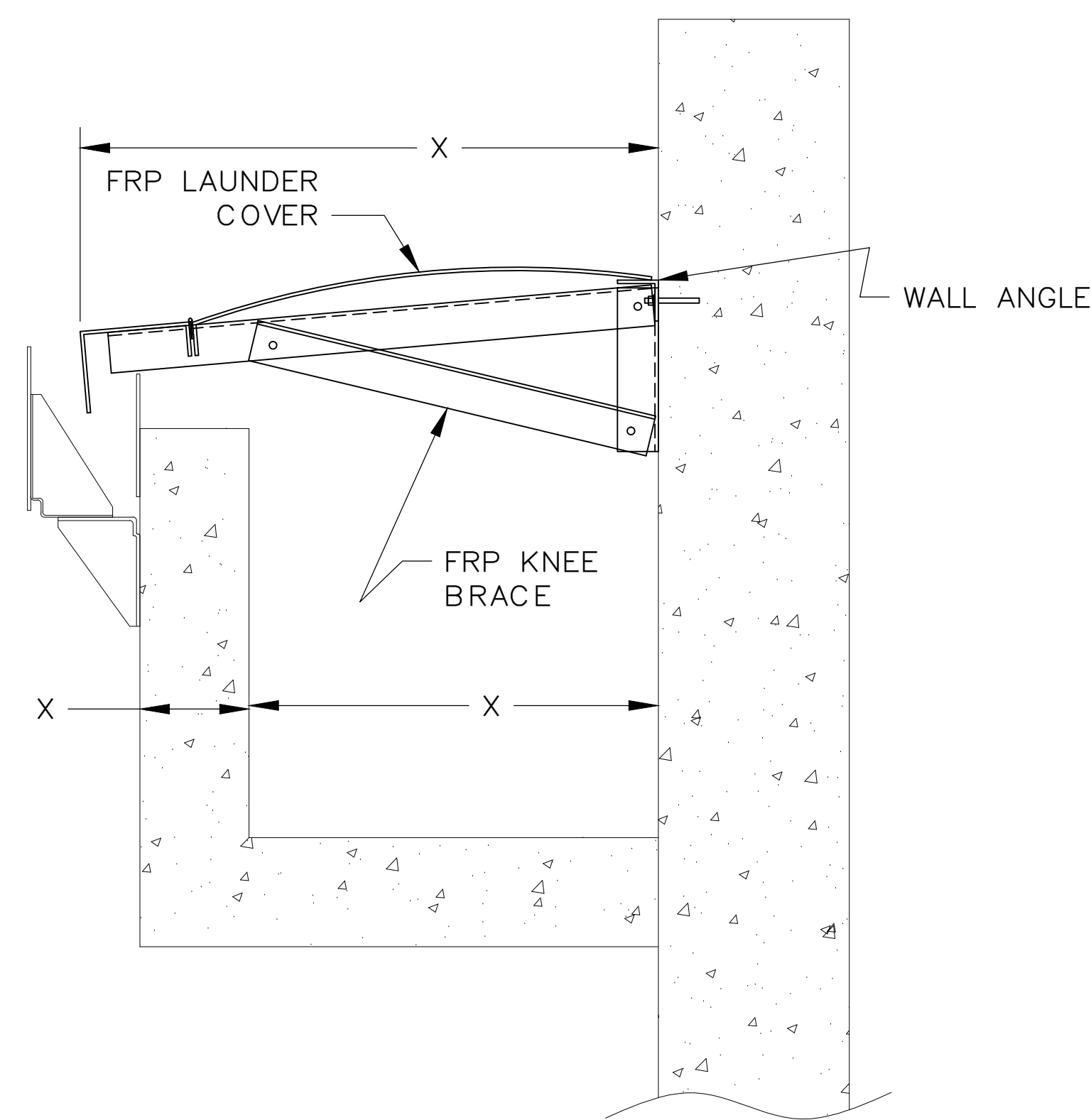
SHEET NO.



EXTERIOR LAUNDRY COVER SUPPORT



INTERIOR LAUNDRY COVER SUPPORT



KNEE BRACE LAUNDRY COVER SUPPORT

THREE OPTIONS FOR SUPPORTING THE LAUNDRY COVERS

MFG WATER TREATMENT ("WATRE") has no responsibility for the contract design of the product or the contract specifications. WATRE has been selected to manufacture this product, the customer agrees to indemnify and hold WATRE harmless from and against all liability relating to this product, its performance, merchantability and fitness for purpose (including all liability for claims, suits, judgements and expenses), unless the product as manufactured by WATRE does not conform to the contract design and specifications set or WATRE'S shop drawings approved by the customer.

NO.	REVISIONS	DATE

MFG CONSTRUCTION & WATER PRODUCTS
 55 4th AVENUE UNION CITY, PA 16438 PHONE: (814) 438.3959 FAX: (814) 438.8538
 SCALE TITLE: REF.

DIVISION :	MFG/WTP
DRAWN BY :	
CHECKED BY :	
APPROVED :	
DATE :	

SHEET NO.